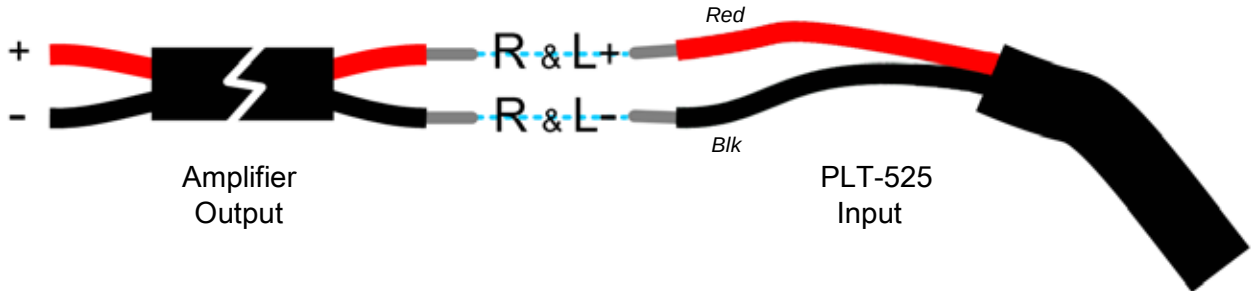


**PLT-525**

Single Channel Connection

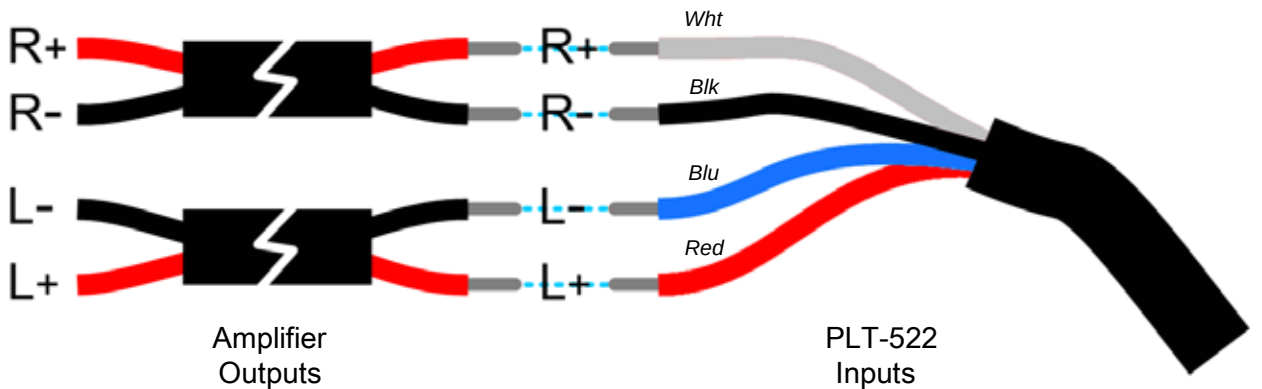
Requires two speakers for stereo reproduction (one for left channel and one for right).



**PLT-522**

Dual Channel (Stereo) Connection

Requires only one speaker since both channels are combined within the speaker.



**Suggestions:**

These suggestions will help to increase the longevity of your planter speaker:

Leave your plants in their original pot and place the pot directly into the planter speaker. No transplanting is required.

Place a weed-barrier cloth or mesh screen inside the planter to help prevent clogging of the drain holes.

Place your planter speaker where the speaker will not receive direct water spray.



**ANGSTROM LOUDSPEAKERS MC**

391 Marwood Drive, Unit 6

Oshawa, Ontario

Tel. 416-988-8806

[www.angstromloudspeakers.com](http://www.angstromloudspeakers.com)